



# INSTANT-FLOW<sup>®</sup> SR - LOW FLOW

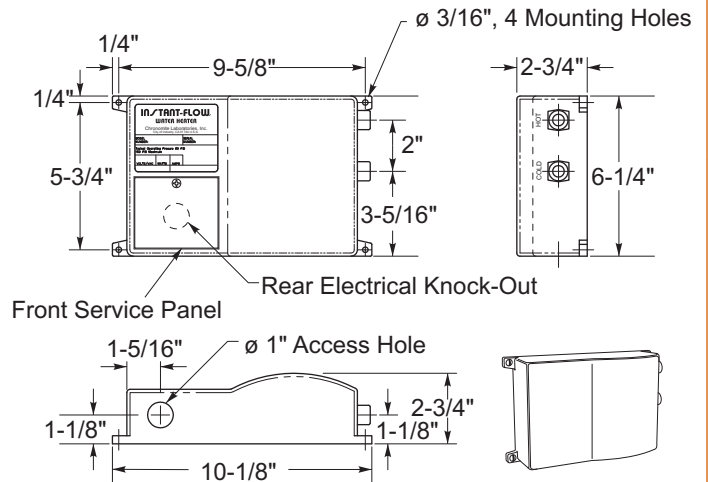
## TECHNICAL DIMENSIONS

### INSTANT-FLOW<sup>®</sup> SR - LOW FLOW

Dimensions:	6-1/4" (H) x 9-5/8" x 2-3/4"
Weight:	5 lbs.
Materials:	Rugged cast aluminum housing Celcon plastic element assembly with nichrome coils
Housing Color:	White
Minimum Operating Flow Rate:	0.35 GPM
Minimum Operating Pressure:	25 PSI
Maximum Operating Pressure:	150 PSI
Maximum Operating Temperature:	140°F
Listing:	UL, IAPMO, UPC, ADA

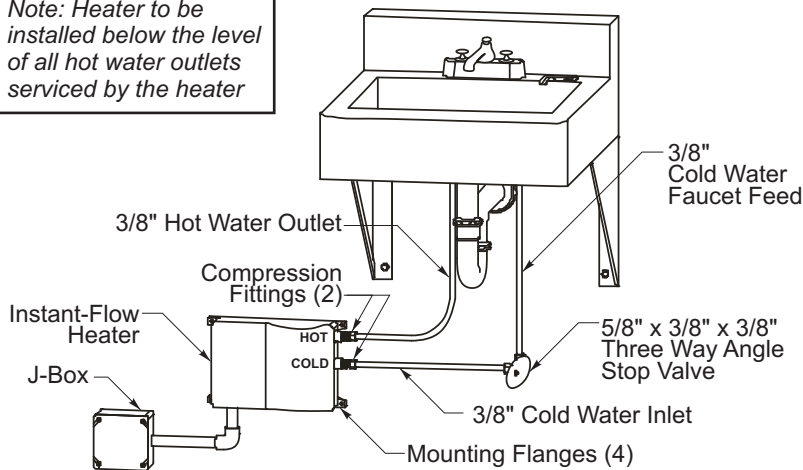
#### GENERAL NOTES:

- 240V models when operated at 220V will have approximately a 15% temperature decrease.
- 120V models when operated 110V will have approximately a 15% temperature decrease.
- Per UL/IAPMO unit may not exceed maximum operating temperature of 140°F

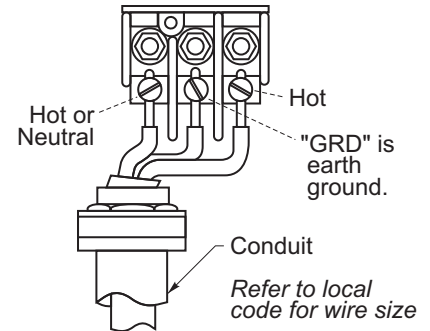


## INSTALLATION DIAGRAM

Note: Heater to be installed below the level of all hot water outlets serviced by the heater



## WIRING CONNECTION



#### ATTENTION:

Unit must be hard wired.  
NOTE: Heaters are single phase.  
All tests are measured at the output of the heater.

Chronomite Laboratories assumes no responsibility for use of void or suspended data. © Copyright Chronomite Laboratories, Inc. Member of Morris Group International, City of Industry, CA Please visit [www.chronomite.com](http://www.chronomite.com) for most current specifications.

SELECTION SUMMARY & APPROVAL FOR MANUFACTURING

Company \_\_\_\_\_

Model Number & Options \_\_\_\_\_ Quantity \_\_\_\_\_

Contact \_\_\_\_\_ Title \_\_\_\_\_

Signature (Approval for Manufacturing) \_\_\_\_\_ Date \_\_\_\_\_

**CHRONOMITE**  
LABORATORIES, INC.

PH. 800-447-4962

626-937-4270

FAX 626-937-4279

[www.chronomite.com](http://www.chronomite.com)